

Technical Bulletin

Model

All

Group

4

Subject: Hand Brake Shoe Retaining System

Part Identifier

4683

Number

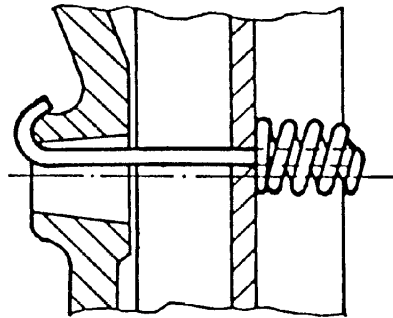
8911

Models Affected: 944 Series, 911 Series, 928 Series

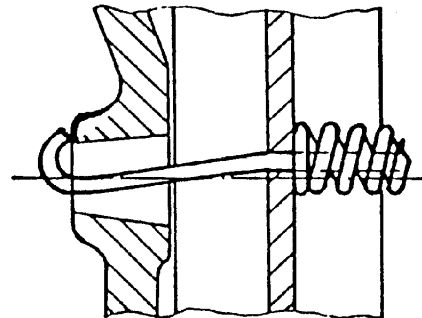
Concern: Correct installation of hand brake shoe retaining spring.

Repair Procedure: When installing hand brake shoes, be certain to correctly position the brake shoe retaining spring (Figure 1).

Incorrect installation (Figure 2) will result in breakage of the retaining spring and possible damage to the brake shoes and related components, which is not a warranty matter.



Correct
Figure 1



Incorrect
Figure 2

Important Notice

PCNA Technical Bulletins are intended for use by professional technicians, not a "Do-it-yourselfer." They are written to inform these technicians of conditions that may occur on some vehicles, or to provide information that could assist in the proper service of a vehicle. Special tools may be required to perform certain operations identified in these bulletins. Use of tools and procedures other than those recommended in these bulletins may be detrimental to the safe operation of your vehicle. Properly trained technicians have the equipment, tools, safety instructions and know-how to do a job properly and safely. If a condition is described, do not assume that the bulletin applies to your vehicle, or that your vehicle will have that condition. See your Porsche Dealer for information on whether your vehicle may benefit from the information. Part numbers listed in these bulletins are for reference only. Always check with your authorized Porsche dealer to verify correct part numbers.

© 1989 Porsche Cars North America, Inc.

PORSCH
E CARS
NORTH
AMERICA
INC.



SERVICE

Page 1 of 1
October 20, 1989